



## 18668 & 18669 Installation Instructions

### IMPORTANT INSTALL REQUIREMENTS:

1. Must have at least a 4.5" diameter flat surface on the fuel tank to install this pump.
2. Minimum vertical install height of 9.75".
3. Pump cannot be mounted horizontal (TOP MOUNT ONLY).
4. Baffling required at the pickup point for pump longevity and performance.

### CAUTION:

Installation of this product requires detailed knowledge of automotive systems and repair procedures. We recommend that this installation be carried out by a qualified automotive technician.

Installation of this product requires handling of gasoline. Ensure you are working in a well ventilated area with an approved fire extinguisher nearby. Extinguish all open flames, prohibit smoking and eliminate all sources of ignition in the area of the vehicle before proceeding with the installation.

When installing this product, wear eye goggles and other safety apparel as needed to protect yourself from debris and sprayed gasoline.

Maximum continuous operating pressure should not exceed 70 psi.

The enclosed pump uses ORB ports, they are NOT PIPE THREAD and utilize NO THREAD SEALANT. You must install ORB port fittings with o-rings to seal the fitting into the pump.

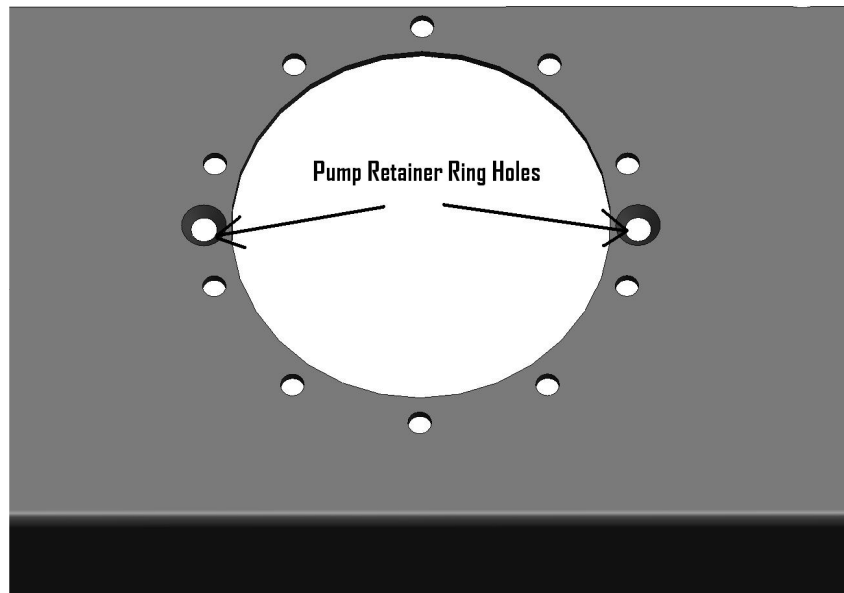
#### Kit includes:

1 x A1000 fuel pump  
1 x Filter Assembly  
1 x 3/4 tube  
10 x Teflon washer's  
1 x 10AN ORB tube clamp

1 x Pump Retainer Ring  
1 x Pump Gasket  
10 x Pump mounting bolts  
2 x Retainer ring mounting screws

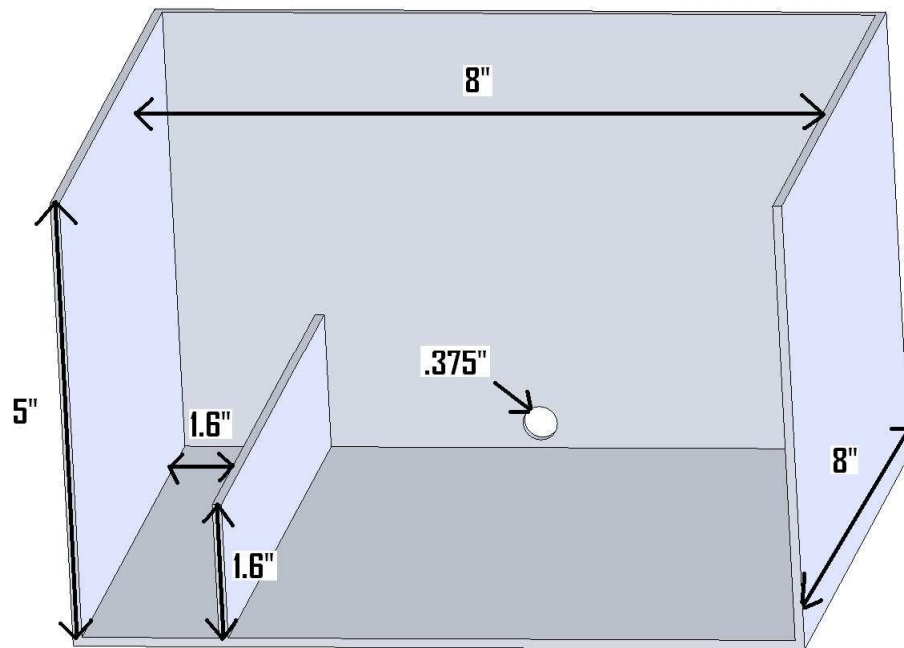
Aeromotive system components are not legal for sale or use on emission controlled motor vehicles. The following steps are typical of most installations:

1. On the top of the fuel tank find a 4.5" diameter flat area for fuel pump location (towards the rear of the tank is the best location). Mark the center of this location so it can be cut out.
2. Use a 3.5" hole saw to cut out the pump hole. Lower the pump into the hole and use a transfer punch to locate the 10 mounting holes. Remove the pump and drill the holes using a .225" drill bit. Drill two more holes for the pump retainer ring 180 degrees apart. Refer to figure 1-1 for these two holes.
3. Now take an 82 degree chamfer tool and chamfer the two holes for the pump retainer ring. Once finished it will look like **figure 1-1**.



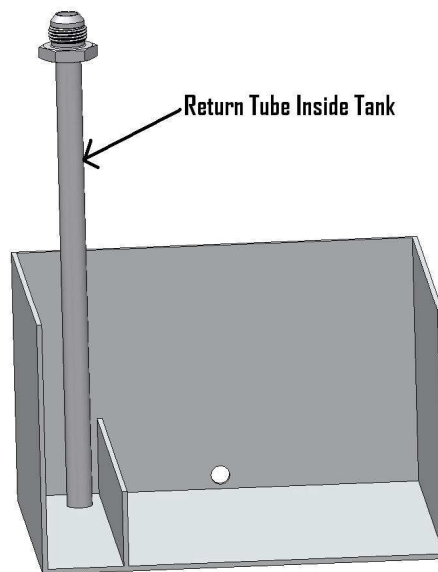
**FIGURE 1-1**

4. Construct baffling for the filter pick area. This is key for pump performance and longevity. Typical baffling size is 8x8x5. Use **figure 1-2** for reference.



**FIGURE 1-2**

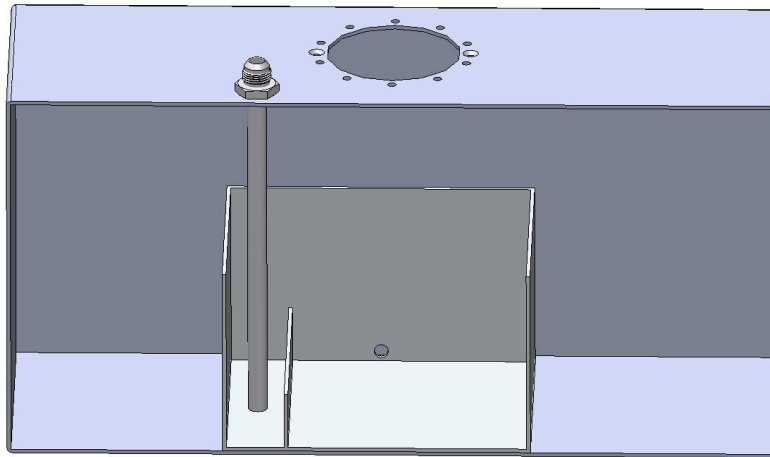
5. Drill two .375" holes near the bottom of the baffling running from the front to rear of the vehicle. Also construct an 8" x 1.6" x 1.6" wall along the bottom of the baffle box for the return to feed into. This will keep the fuel calm at the pickup point and reduce the chance of cavitation. **Figure 1-3**



**FIGURE 1-3**

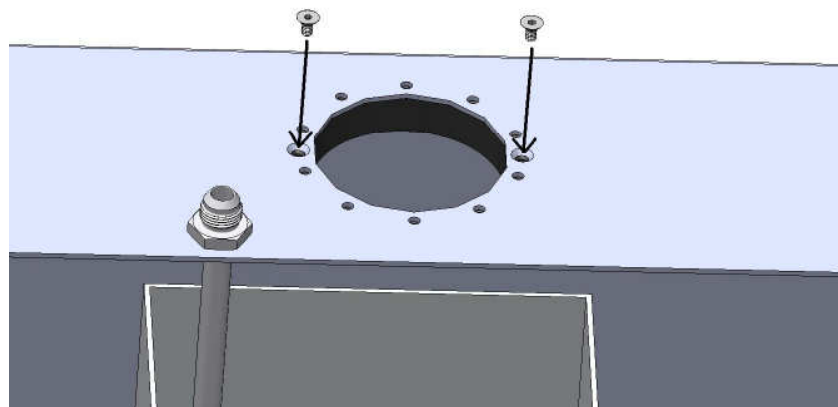
6. Typical position for the baffle box is below the fuel pump cut out. Although they can be mounted apart. For this illustration we will use the most common. Position the baffle box below the fuel pump cut out and secure it to the floor of the tank. When finished it will look like **figure 1-4**.

**NOTE: Pump does not need to be mounted directly above the baffle box. It can be mounted anywhere on the top of the tank as long as you can get a tube from the pickup filter assembly to the inlet of the pump.**



**FIGURE 1-4**

7. Now install the fuel pump retainer ring into the tank and secure it with the two tapered screws provided. Use some thread sealant on the threads to prevent leaks. **Figure 1-5**



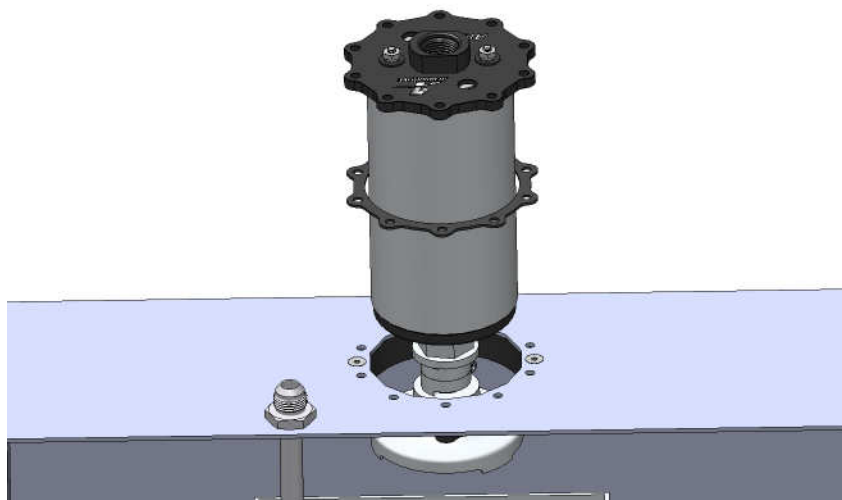
**FIGURE 1-5**

8. Measure the depth of the tank so you know the length the pump assemble needs to be. Subtract .125-.250" off of the length, so the pickup isn't resting on the bottom of the baffle. Cut the supplied tube to desired length. Debur the inside of the pipe and chamfer the outside edge so it doesn't cut the o-rings when you push the tube into the clamps (use light grease or oil to aid in assembly). Assemble the pump and filter as shown in **figure 1-6** (figure shown is the shortest configuration, 9.75").

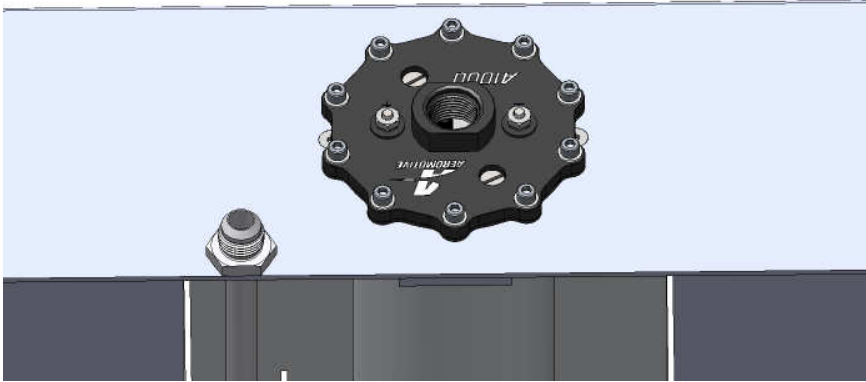


**FIGURE 1-6**

9. Insert the pump with gasket into the tank. **Figure 1-7**



10. With the pump inserted into the tank, take the supplied socket head cap screws and washers and tighten them down. Do not over tighten as it will break or damage the washers. The finished product should look like **figure 1-8**.



**FIGURE 1-8**

## FUEL PUMP WIRING:

11. Use the wiring diagram below to wire up your new Aeromotive fuel pump. To make installation easier use Aeromotive fuel pump wiring kit, part # 16301. **Figure 2-1**

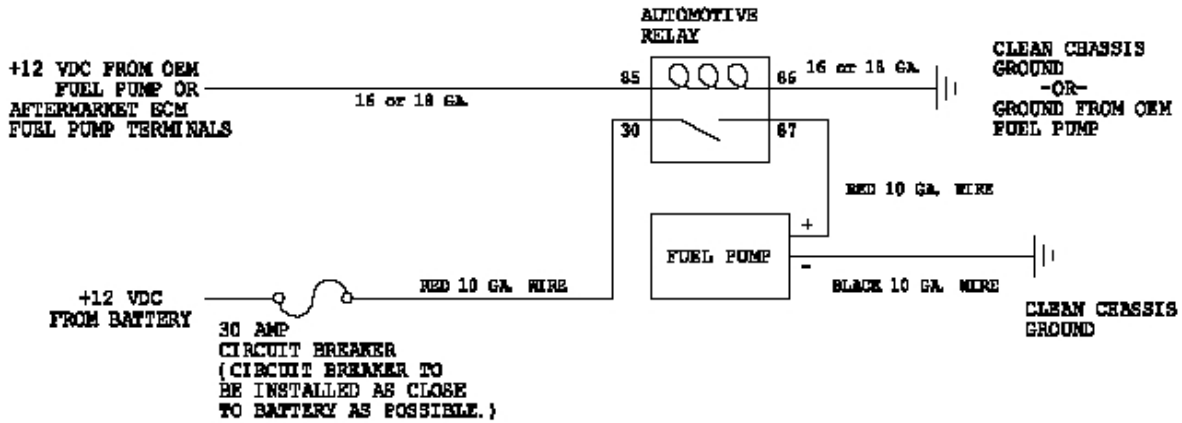


FIGURE 2-1

The following Aeromotive parts are recommended to finish the fuel system:

- 12301 post filter (gas)
- 12305 filter bracket
- 12335 filter (E85 or alcohol)
- 13101 regulator (EFI)
- 13204 regulator (single carb)
- 13224 regulator (dual carb)
- 16301 fuel pump wiring kit
- 16306 fuel pump speed controller

## ***AEROMOTIVE, INC. LIMITED WARRANTY***

This Aeromotive Product, with proof of purchase dated on or after January 1, 2003, is warranted to be free from defects in materials and workmanship for a period of one year from the original date of purchase. No warranty claim will be valid without authentic, dated proof of purchase.

This warranty is to the original retail purchaser and none other and is available directly from Aeromotive and not through any point of distribution or purchase.

If a defect is suspected, the retail purchaser must contact Aeromotive directly to discuss the problem, possible solutions and obtain a Return Goods Authorization (RGA), if deemed necessary by the company. Please call 913-647-7300 and dial option 3 for the technical service dept. All returns must be shipped freight pre-paid to the company and with valid RGA before they will be processed.

Aeromotive will examine any product returned with the proper authorization to determine if the failure resulted from a defect or from abuse, improper installation, misapplication or alteration. Aeromotive will then, at it's sole discretion, return, repair or replace the product.

If any Aeromotive product is determined defective, buyer's exclusive remedy is limited in value to the sale price of the good. In no event shall Aeromotive be liable for incidental or consequential damages.

Aeromotive expressly retains the right to make changes and improvements in any product it manufactures and sells at any time. These changes and improvements may be made without notice at any time and without any obligation to change the catalogs or printed materials.

Aeromotive expressly retains the right to discontinue at any time and without notice any Aeromotive product that it manufactures or sells.

This warranty is limited and expressly limits any implied warranty to one year from the date of the original retail purchase on all Aeromotive products.

No person, party or corporate entity other than Aeromotive shall have the right to: determine whether or not this Limited Warranty is applicable to any Aeromotive product, authorize any action whatsoever under the terms and conditions of this Limited Warranty, assume any obligation or liability of any nature whatsoever on behalf of Aeromotive under the terms and conditions of this Limited Warranty.

This Limited Warranty covers only the product itself and not the cost of installation or removal.

This Limited Warranty is in lieu of and expressly excludes any and all other warranties, expressed or implied. This Limited Warranty gives you specific legal rights, and you may also have other rights which vary from state to state.