

MOUNTING TEMPLATE #HA5419

20 Degree (Reversible) Wedge Kit

⚠ CAUTION

When cutting the 5-1/2" dia. hole (Recessed Mounts), overlap is minimal. Ensure an accurate, clean hole is cut.

1. Tape the template on page 2 to the dashboard.
2. Before drilling holes, check that the helm location will allow unrestricted movement of the steering wheel.
3. **FOR RAISED MOUNT.** Drill the 4" diameter center hole and the four 5/16" diameter mounting holes positioned as shown on the template.
4. **FOR RECESSED MOUNT.** Drill the 5-1/2" diameter center hole and the four 5/16" diameter mounting holes positioned as shown on the template.

Bezel Kit

This kit is designed to mount the helm at a 20° angle to the mounting surface.

Four possible mounting configurations are available.

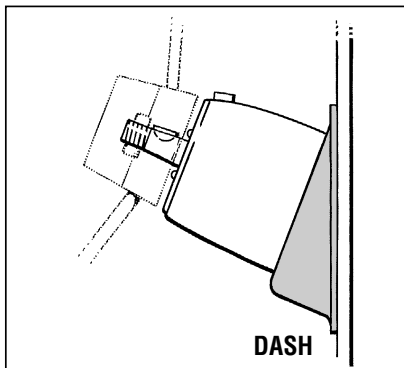


Figure A. Vertical Raised Mount.

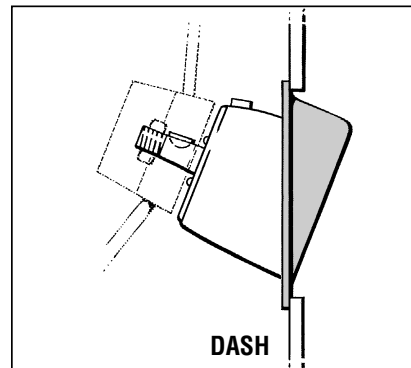


Figure B. Vertical Recessed Mount.

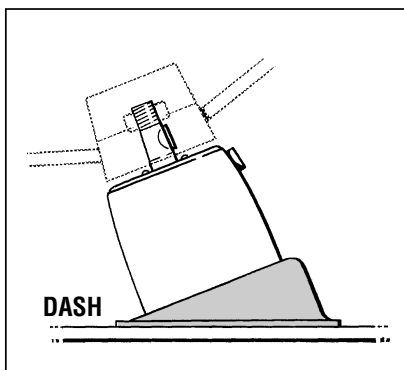


Figure C. Horizontal Raised Mount.

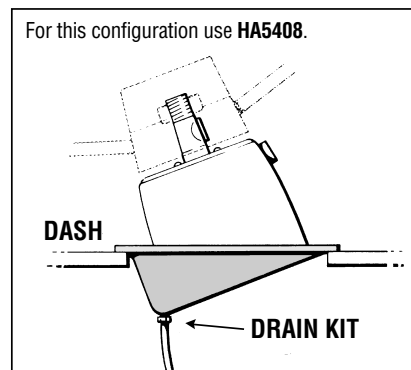


Figure D. Horizontal Recessed Mount.

⚠ WARNING

DO NOT attempt to install this helm without first reading the installation instructions. If the instructions are missing, contact SeaStar Solutions for a new copy. Failure to comply with the installation instructions may result in loss of steering causing property damage and/or personal injury.



MOUNTING TEMPLATE #HA5419

20 Degree (Reversible) Wedge Kit

Please refer to page 1 for cutout instructions.

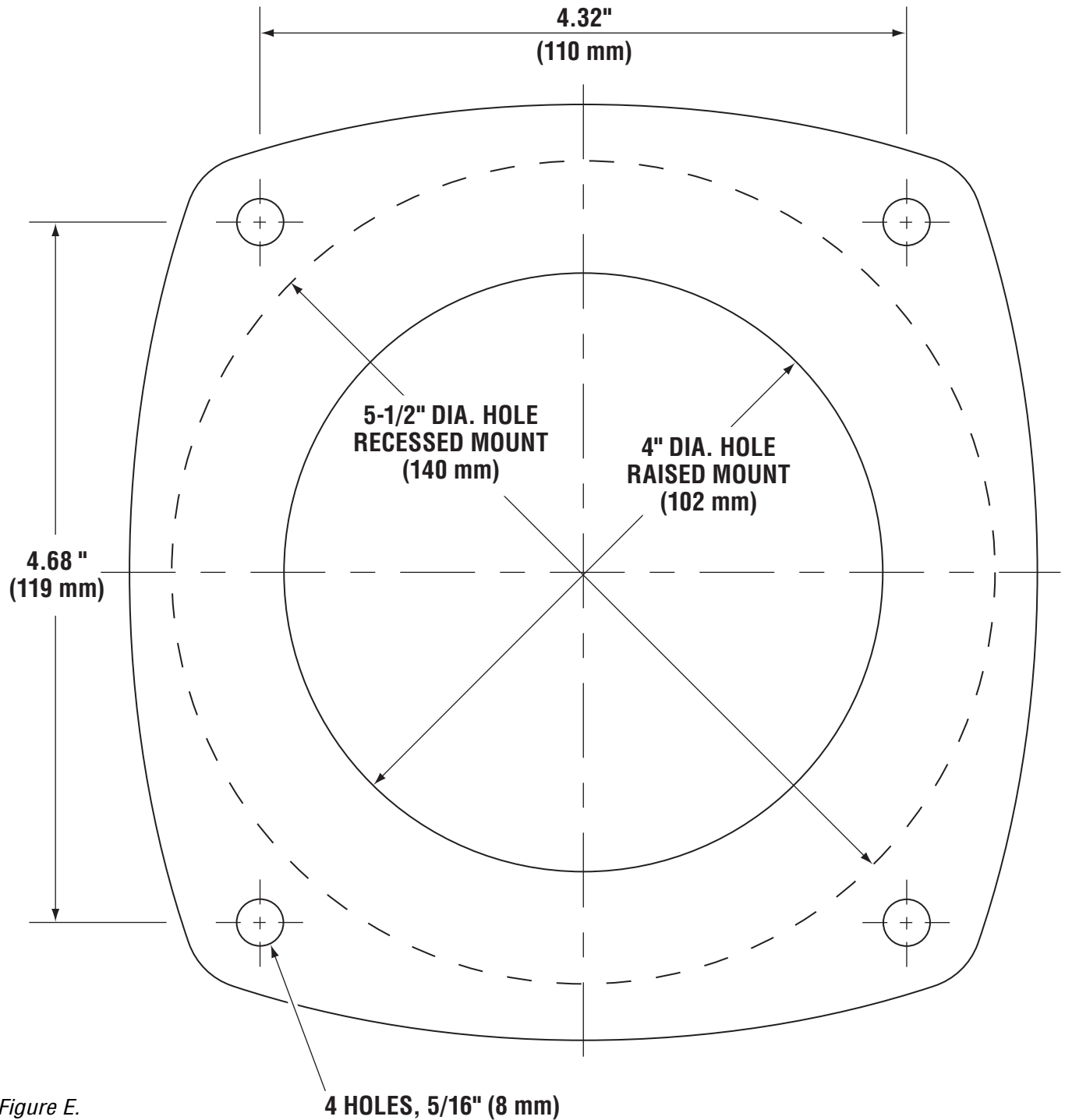


Figure E.