

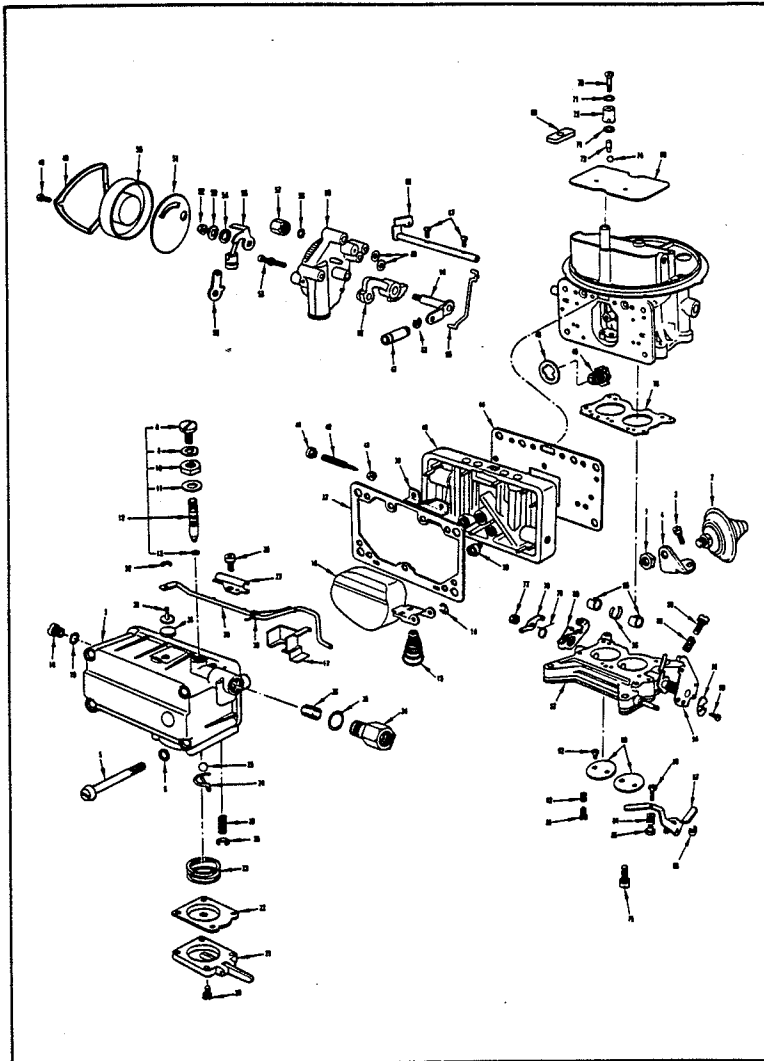
# instruction sheet **Holley Carburetor Model 2300-C**

## TYPICAL VIEW

The exploded view shown is typical of the model carburetor this kit will service, the view may differ slightly from the actual carburetor being renewed.

This kit may contain more parts than are actually required to service a given carburetor. When similar gaskets or parts are included in the kit, compare with original parts.

## NOMENCLATURE



### DISASSEMBLY

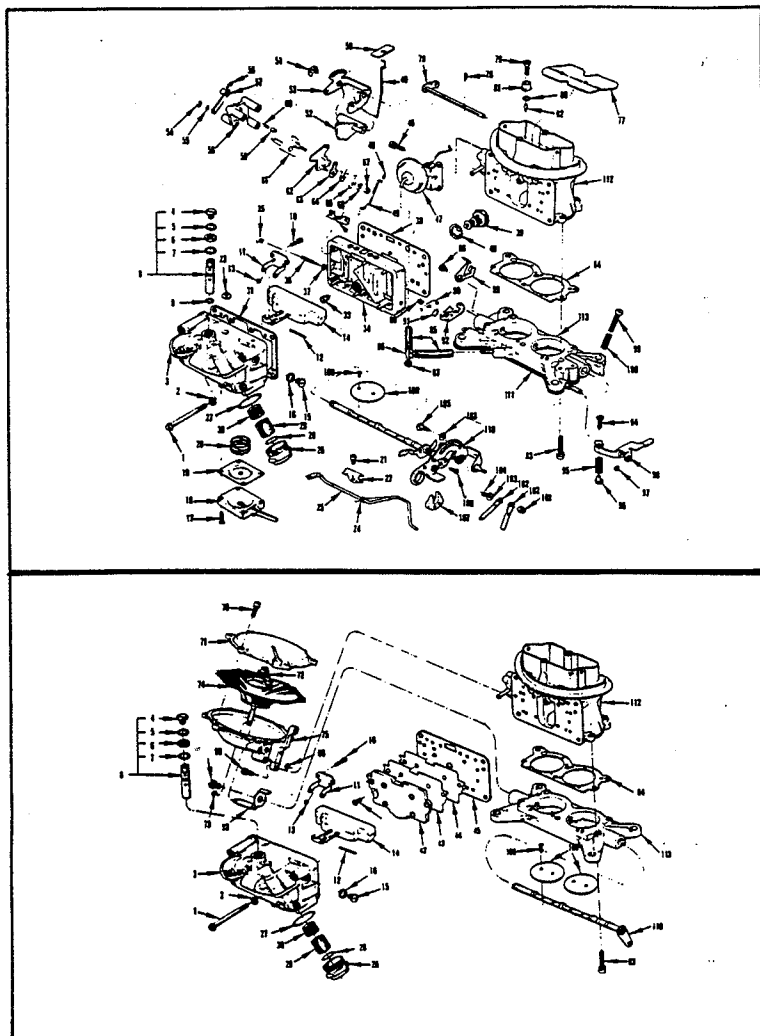
Rest the carburetor on a repair stand to avoid damage to the throttle plates during renew procedures. Use exploded view as a guide, and follow the numerical sequence in general to disassemble unit far enough to permit cleaning and inspection. Do not remove throttle plates or shaft. Idle limiter: turn the idle limiter caps to its leanest position and remove cap. Observe and record the initial position of the needle slot. Turn the idle needles until lightly seated, recording the number of turns required to seat the needles. This procedure is necessary to reinstall the idle needles after renewing.

Use care not to damage idle adjusting needles when removing idle limiter caps.

REF. NO.	REF. NO.
1. Dashpot locknut	52. Thermostat shaft nut
2. Dashpot assembly	53. Shaft nut lockwasher
3. Dashpot bracket screw	54. Spacer
4. Dashpot bracket	55. Choke thermostat lever and assembly
5. Fuel bowl screw	56. Choke thermostat lever
6. Bowl screw gasket	57. Heat tube nut
7. Fuel bowl assembly	58. Heat tube screen
8. Fuel valve seat lockscrew	59. Choke housing screw
9. Lockscrew gasket	60. Choke housing assembly
10. Fuel valve seat adjustment nut	61. Choke housing gasket
11. Adjustment nut gasket	62. Fast idle cam
12. Fuel valve assembly	63. Choke link retainer
13. Fuel valve o-ring seal	64. Choke housing shaft and lever
14. Float retainer	65. Choke link
15. Float spring	66. Choke link seal
16. Float assembly	67. Choke plate screw
17. Fuel inlet baffle	68. Choke plate
18. Fuel inlet check plug	69. Choke shaft & lever
19. Check plug gasket	70. Pump discharge nozzle screw
20. Accelerator pump cover screw	71. Discharge nozzle gasket
21. Accelerator pump cover	72. Pump discharge nozzle
22. Pump diaphragm	73. Pump discharge weight
23. Diaphragm return spring	74. Pump discharge ball
24. Check ball retainer	75. Throttle body to main body screw
25. Check ball	76. Throttle body gasket
26. Vent rod clamp screw	77. Fast idle cam lever screw
27. Vent rod clamp	78. Fast idle pick-up lever
28. Vent rod spring retainer	79. Fast idle cam lever spring
29. Vent rod spring	80. Fast idle cam lever
30. Vent rod	81. Fast idle cam lever screw
31. Vent cap	82. Lever screw spring
32. Vent valve retainer	83. Pump operating lever adjustment screw
33. Vent valve	84. Adjustment screw spring
34. Fuel inlet fitting	85. Adjustment screw nut
35. Inlet fitting gasket	86. Pump operating lever retainer
36. Inlet filter screen	87. Pump operating lever
37. Fuel bowl gasket	88. Throttle stop screw
38. Metering body vent baffle	89. Stop screw spring
39. Main metering jet	90. Pump cam lock screw
40. Metering body	91. Pump cam
41. Idle limiter cap	92. Throttle plate screw
42. Idle needle	93. Throttle plate
43. Idle needle seal	94. Throttle transfer & lever
44. Metering body gasket	95. Throttle shaft bearing
45. Power valve	96. Throttle shaft bearing-center
46. Power valve gasket	97. Flange gasket
47. Pump transfer tube	
48. Thermostat housing clamp screw	
49. Thermostat housing clamp	
50. Thermostat housing assy.	
51. Thermostat housing gasket	

# TYPICAL VIEW MODEL 2300 - 3 x 2 BBL.

## NOMENCLATURE



### CLEANING

Cleaning must be done with carburetor disassembled. Soak parts long enough to soften and remove all foreign material. Use a carburetor solvent, lacquer thinner or denatured alcohol. Make certain the throttle body is free of all hard carbon deposits. Wash off in suitable solvent. Blow out all passages in castings with compressed air and check carefully to insure thorough cleaning of obscure areas.

**CAUTION:** Do not soak parts containing rubber or plastic material. Serious damage could result.

Fuel bowls, should only be exposed to carburetor cleaner long enough to permit removal of gum and varnish deposits with a brush.

### REASSEMBLY

Reassemble in reverse order to disassembly. Note special instructions and follow outline in making adjustments.

Manually operate the throttle lever and choke mechanism, checking for binding or malfunction. Any binding or interference could cause throttle to stick during operation and result in loss of carburetor throttle control (or uncontrolled engine speed).

Check carburetor to be sure there are no leaks, flooding which might cause a fire.

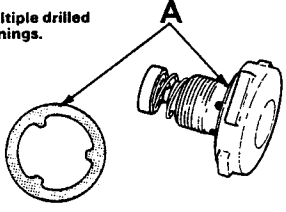
REF. NO.	REF. NO.
1. Fuel bowl screw	61. Fast idle cam & shaft assembly
2. Bowl screw gasket	62. Back-up plate & stud assembly
3. Fuel bowl assembly	63. Choke rod lever & bushing assembly
4. Fuel valve seat lock screw	64. Choke spring
5. Lock screw gasket	65. Spring washer
6. Fuel valve seat adjustment nut	66. Back-up plate stud nut lockwasher
7. Adjustment nut gasket	67. Stud nut
8. Fuel valve assembly	68. Diaphragm mounting screw
9. Fuel valve o-ring seal	69. Diaphragm housing gasket
10. Float shaft retainer screw	70. Diaphragm assembly cover screw
11. Float shaft retainer	71. Diaphragm housing cover
12. Float lever shaft	72. Diaphragm spring
13. Float spring	73. Diaphragm link retainer
14. Float assembly	74. Diaphragm assembly
15. Fuel level check plug	75. Diaphragm housing
16. Check plug gasket	76. Choke plate screw
17. Accelerator pump cover screw	77. Choke plate
18. Accelerator pump cover diaphragm	78. Choke shaft & lever assy.
19. Accelerator pump diaphragm	79. Pump discharge nozzle screw
20. Diaphragm return spring	80. Pump discharge screw gasket
21. Vent rod clamp screw	81. Pump discharge nozzle
22. Vent rod clamp	82. Pump discharge needle valve
23. Vent valve	83. Throttle body to main body screw
24. Vent rod spring	84. Throttle body gasket
25. Vent rod	85. Choke diaphragm hose
26. Fuel inlet fitting	86. Tee fitting
27. Inlet fitting gasket	87. Plug
28. Fuel filter gasket	88. Fast idle cam lever screw
29. Fuel filter	89. Fast idle cam lever
30. Fuel filter spring	90. Fast idle pick-up lever
31. Fuel bowl gasket	91. Fast idle cam lever spring
32. Metering body vent baffle	92. Fast idle cam lever
33. Main metering jet	93. Diaphragm lever & pin assy.
34. Metering body	94. Pump operating lever adjustment screw
35. Idle limiter cap	95. Adjustment screw spring
36. Idle needle	96. Adjustment screw nut
37. Idle needle seal	97. Pump operating lever retainer
38. Metering body gasket	98. Pump operating lever
39. Power valve	99. Throttle stop screw
40. Power valve gasket	100. Stop screw spring
41. Metering body screw	101. Throttle connector pin nut
42. Metering body - sec.	102. Throttle connector bar
43. Metering body plate gasket	103. Throttle connector pin spacer
44. Metering body plate	104. Throttle connector pin bushing
45. Metering body gasket	105. Throttle connector pin
46. Choke diaphragm bracket screw	106. Pump cam lock screw
47. Choke diaphragm assembly	107. Pump cam
48. Choke rod retainer	108. Throttle plate screw
49. Choke rod	109. Throttle plate
50. Choke rod seal	110. Throttle shaft & lever assembly
51. Choke control lever retainer	111. Flange gasket
52. Fast idle cam	112. Main body
53. Choke control lever	113. Throttle body
54. Control lever nut	
55. Lockwasher	
56. Swivel screw	
57. Choke lever & swivel assy.	
58. Fast idle cam plate	
59. Fast idle cam plunger	
60. Plunger spring	

### SPECIAL INSTRUCTIONS

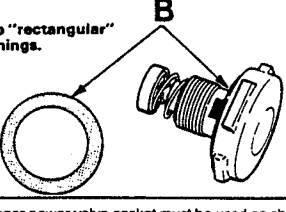
**REVERSE IDLE** — Some list numbers of this model carburetor use a reverse idle system and decal directions should be followed to properly set the idle mixture.

# CARBURETOR ADJUSTMENTS

With multiple drilled fuel openings.



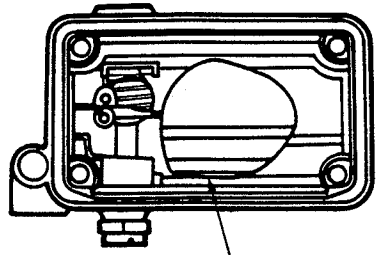
With two "rectangular" fuel openings.



NOTE: Proper power valve gasket must be used as shown, use of improper gasket will result in fuel leakage around power valve.  
Power valve (A): Torque to 40-50 inch pounds  
Power valve (B): Torque to 40-50 inch pounds

**FIG. 1 - POWER VALVE INSTALLATION**

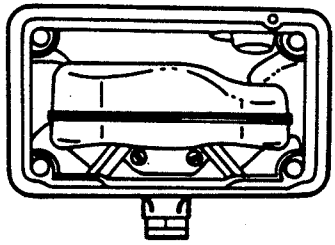
1 With fuel bowl inverted



2 Adjust float parallel to bowl floor

External Adjustable Type  
**FIG. 2 - DRY FLOAT SETTING**

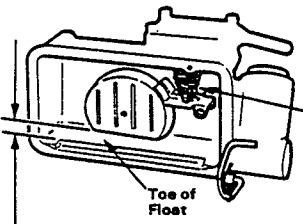
1 With fuel bowl inverted



2 Adjust float so that it is centered in the center of the fuel bowl

Center Inlet Type  
**FIG. 3 - DRY FLOAT SETTING**

1 With fuel bowl inverted



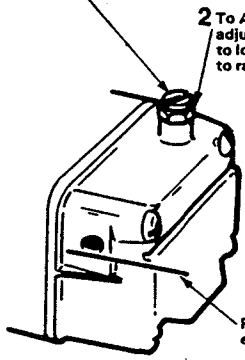
2 Measure distance between surface of fuel bowl and float, at toe of the float

3 To Adjust: Bend Tab

Toe of Float

Non-Adjustable Type  
**FIG. 4 - DRY FLOAT SETTING**

1 Loosen lock screw



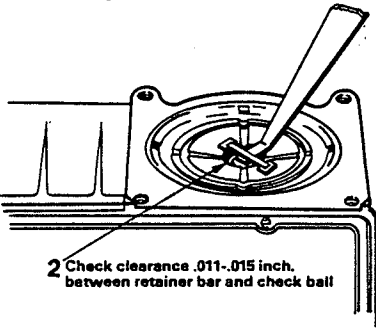
2 To Adjust: Turn adjusting nut clockwise to lower counter-clockwise to raise level

Proper level, at bottom edge of sight plug port

With car on level surface and engine running

**FIG. 5 - WET LEVEL ADJUSTMENT**

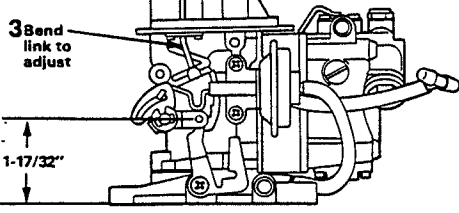
1 With fuel bowl inverted



2 Check clearance .011-.015 inch. between retainer bar and check ball

**FIG. 6 - PUMP INTAKE CHECK BALL ADJUSTMENT**

1 Close choke plate



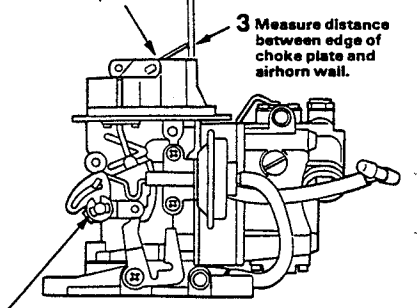
2 Measure from top of choke rod hole to base of carburetor.

3 Bend link to adjust

1-17/32"

**FIG. 7 - CHOKE LEVER ADJUSTMENT**

2 Apply light closing pressure on choke plate



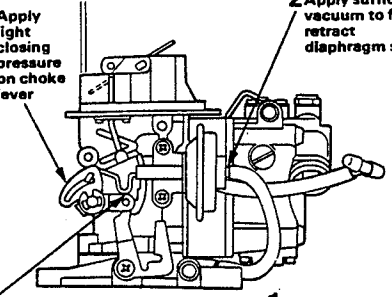
3 Measure distance between edge of choke plate and airhorn wall.

4 To Adjust: bend choke control lever tang

1 Position fast idle tang on second step of fast idle cam

**FIG. 8 - FAST IDLE CAM**

4 Measure clearance between bottom edge of choke plate and airhorn wall



3 Apply light closing pressure on choke lever

2 Apply sufficient vacuum to fully retract diaphragm stem

5 To Adjust: Bend Link

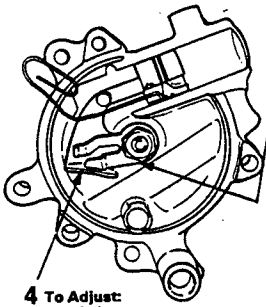
1 Position fast idle tang on second step of fast idle cam

**FIG. 9 - CHOKE QUALIFYING**

# CARBURETOR ADJUSTMENTS

**NOTE:** Bend a paper clip (.030 to .036 dia.) as shown to provide end no long than 1/8 inch long.

1 Insert paper clip into piston bore until end of bore slot is hooked as shown



2 Move piston and levers in choke closing direction until edge of piston slot engages paper clip.

3 Measure distance between upper edge of choke plate and air horn.

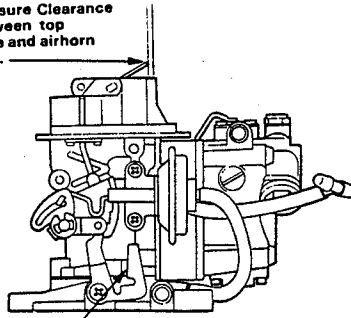
4 To Adjust: Bend piston lever tang.

FIG. 10 - CHOKE QUALIFYING (Integral Choke)

1 Hold throttle in wide open position

2 Apply light closing pressure to choke plate.

3 Measure Clearance between top edge and airhorn wall.

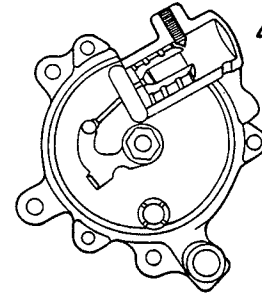


4 To Adjust: Bend tang

FIG. 11 - CHOKE UNLOADER

1 Push choke piston against stop.

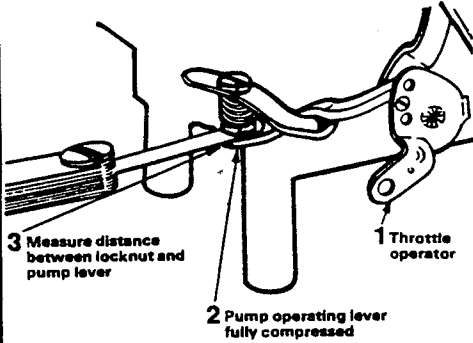
2 Apply light closing pressure to choke plate.



4 To adjust turn screw in or out as required.

3 Measure distance between upper edge of choke plate and airhorn wall.

FIG. 12 - CHOKE QUALIFYING (Late Integral Choke)

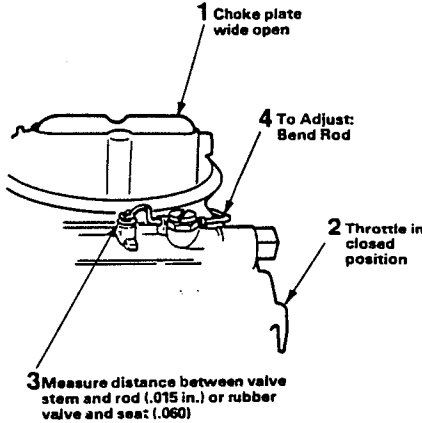


3 Measure distance between locknut and pump lever

2 Pump operating lever fully compressed

1 Throttle operator

FIG. 13 - PUMP OVERRIDE ADJUSTMENT



1 Choke plate wide open

2 Throttle in closed position

4 To Adjust: Bend Rod

3 Measure distance between valve stem and rod (.015 in.) or rubber valve and seat (.060)

FIG. 14 - VENT VALVE ADJUSTMENT

Rotate cover to align ref. mark on cover with specified mark on choke housing.

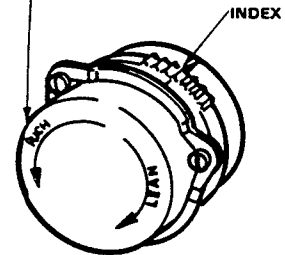
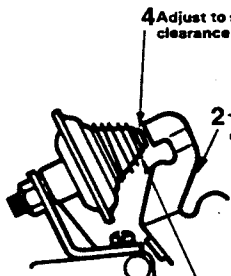


FIG. 15 - CHOKE ADJUSTMENT

1 With choke in wide open position

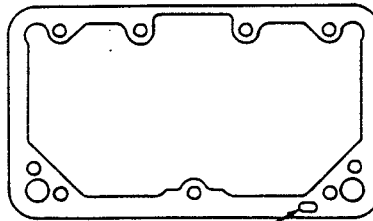


4 Adjust to specified clearance

2 Throttle in closed position

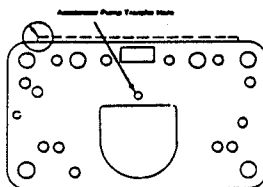
3 Dashpot stem fully depressed

FIG. 16 - DASHPOT ADJUSTMENT

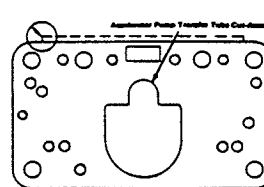


Accelerator Pump Passage

The primary fuel bowl gasket must be installed with the accelerator pump passage on the right side of the main jets. Fuel bowl screws must be torqued to 40 inch pounds.



Accelerator Pump Transfer Hole



Accelerator Pump Transfer Tube Cut-Off

Use on Primary with pump transfer hole.

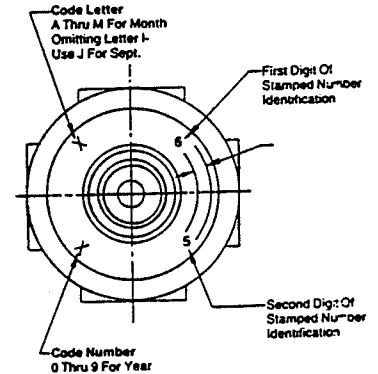
Use on Primary with pump transfer hole.

Metering Body Gaskets

## POWER VALVE IDENTIFICATION

Example: Power Valve Assembly  
25R591-65

65 Which redesignates the stamped number, also identifies the opening point of the power valve (i.e., 6.5" vacuum).



Code Letter A Thru M For Month Omitting Letter I- Use J For Sept.

First Digit Of Stamped Number Identification

Second Digit Of Stamped Number Identification

Code Number 0 Thru 9 For Year