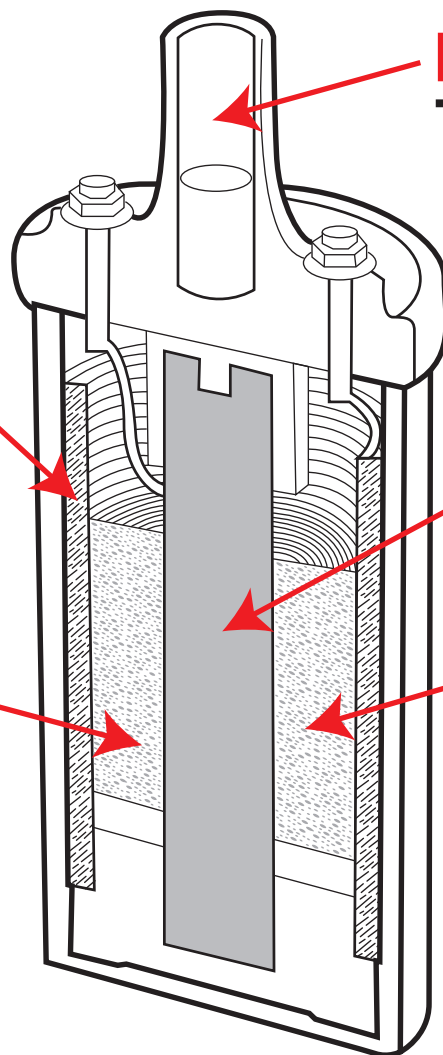


**LOW RESISTANCE
PRIMARY WINDINGS
FOR BEST
PERFORMANCE**

**SECONDARY WINDINGS
PRODUCE 45,000
VOLT OUTPUT**



**HIGH OUTPUT
TERMINAL**

**IRON CORE
ASSISTS WITH
FASTER RECHARGING**

**OIL FILLED FOR
PROPER COOLING
& INSULATION OF
WINDINGS**