



## MOUNTING KIT #HA5478

### Front Mount Helm – Round Bezel Mount

#### NOTICE

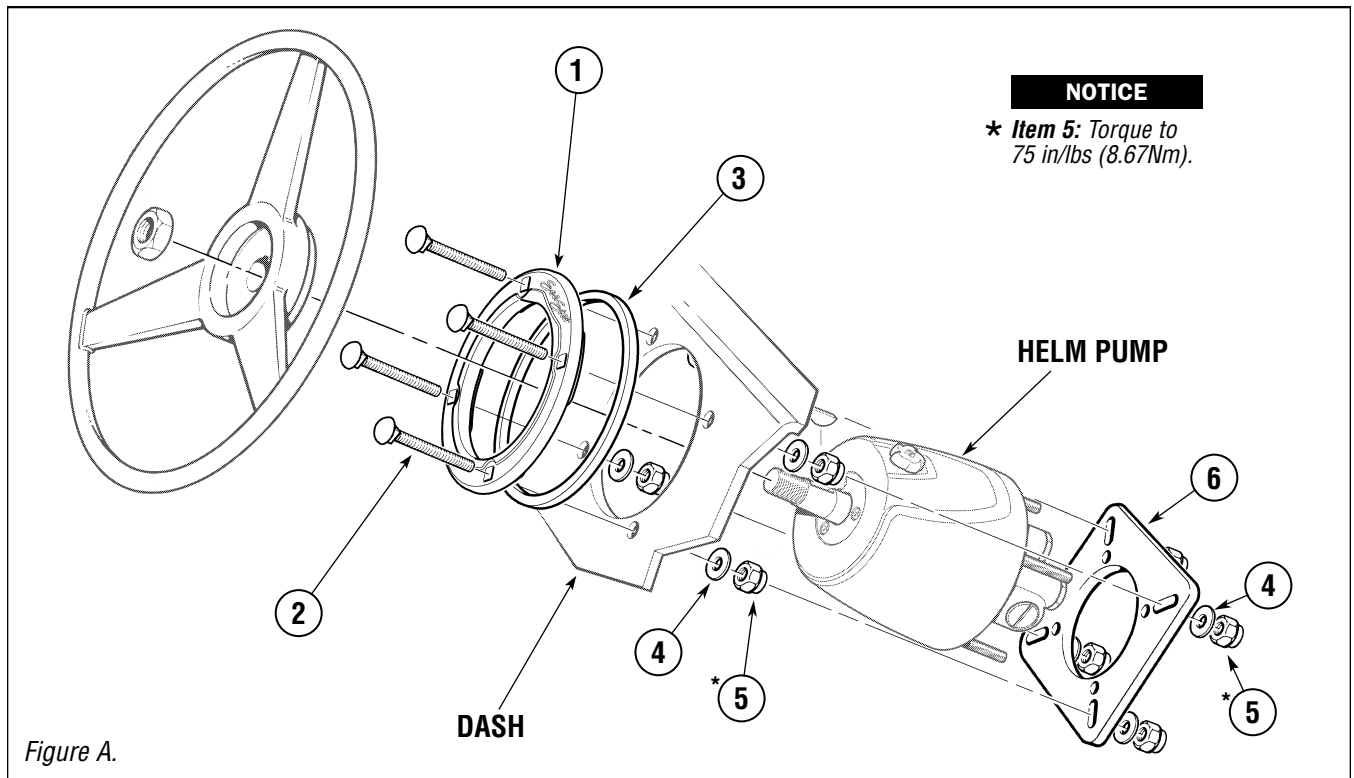
1. Using template on page 2, drill holes as required.

*BEFORE drilling, confirm that the position of the helm pump, when mounted, will allow unrestricted movement of the wheel and will not interfere with any other functional equipment, such as shift/throttle levers, gauges, switches, etc.*

#### CAUTION

**Prior to drilling any holes, confirm that you will not be drilling into any wires, or other functional equipment located BEHIND the dash.**

2. Assemble the mounting bezel (item 1) with the carriage bolts (item 2) and the rubber seal (item 3) according to the diagram.
3. Secure the assembly to the mounting surface using the washers (item 4) and the nuts (item 5). Torque to 75in/lbs (8.67Nm).
4. Insert the helm pump from behind the dash through the hole in the mounting surface and secure using the mounting plate (item 6) and remaining nuts (item 5). Torque to 75in/lbs (8.67Nm).



ITEM	PART#	QTY	DESCRIPTION
1	766990	1	Mounting Bezel
2	185624	4	Carriage Bolts 1/4" x 3-1/2"
3	766723	1	Rubber Seal
4	067528	8	Washer 1/4" Flat

ITEM	PART#	QTY	DESCRIPTION
*5	067424	8	Locking Nut 1/4" NC
6	764233	1	Anchor Plate



**SEASTAR™**

## MOUNTING KIT #HA5478

### Front Mount Helm – Round Bezel Mount

1. Tape template to dashboard.

#### NOTICE

*BEFORE drilling, confirm that the position of the helm pump, when mounted, will allow unrestricted movement of the wheel and will not interfere with any other functional equipment, such as shift/throttle levers, gauges, switches, etc.*

3. Drill the 4-3/8" diameter center hole and the 5/16" diameter mounting holes, positioned as shown.

#### ⚠ WARNING

**Ensure that you have read and understand ALL installation instructions included with your helm pump. Failure to do so may lead to loss of steering control. Loss of steering control may lead to unpredictable boat behavior and/or ejection from boat causing property damage, personal injury and/or death.**

#### ⚠ CAUTION

**If printing or a photocopy of this template is required, confirm that the measurements on the template that you have printed and/or copied are true and correct.**

